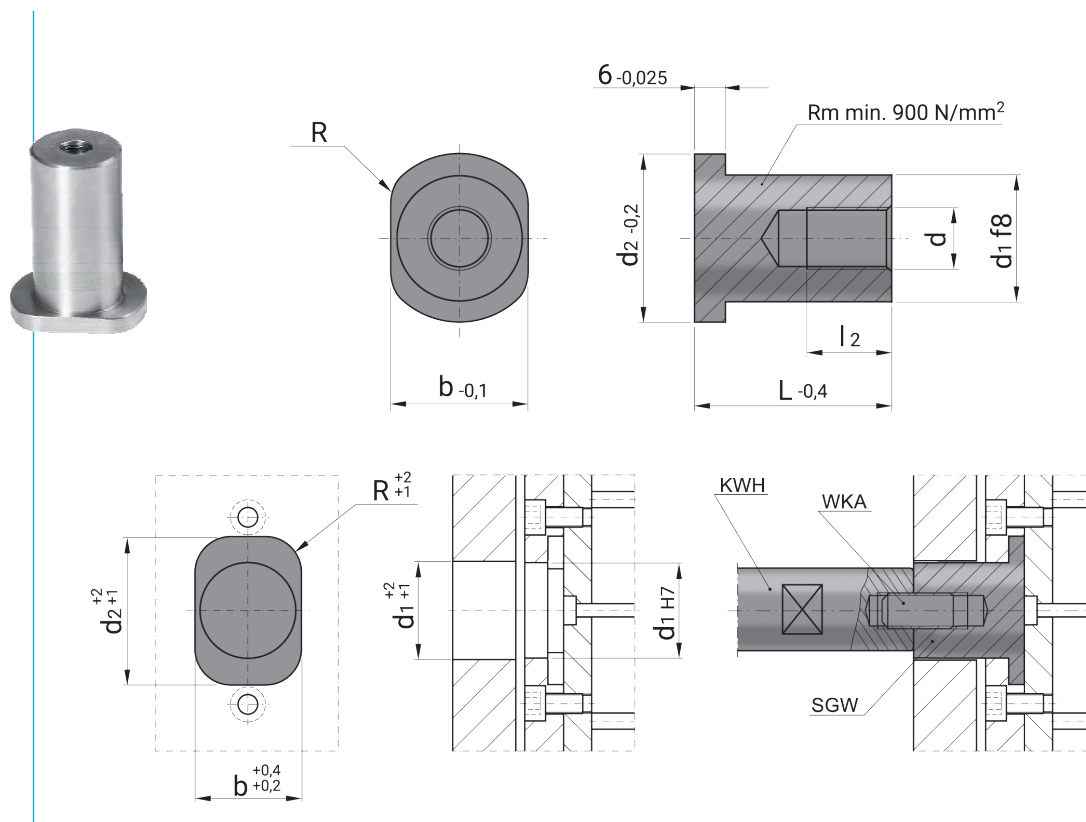


Sworzeń płyty wypychaczy

Threaded insert for ejector plate

SGW



b	R	d2	d1	l2	d	L	NR KAT.
24	8	36	20	12	M6	37	SGW-0637
						42	SGW-0642
				16	M8	37	SGW-0837
						42	SGW-0842
						47	SGW-0847
						52	SGW-0852
34	11	46	30	20	M10	47	SGW-1047
						52	SGW-1052
						56	SGW-1056
						61	SGW-1061
						61	SGW-1256
				24	M12	61	SGW-1261
						66	SGW-1266
						71	SGW-1271
						75	SGW-1275
						61	SGW-1661
				32	M16	66	SGW-1666
						71	SGW-1671
						75	SGW-1675
						85	SGW-1685
						95	SGW-1695
46		56	40	40	M20	61	SGW-2061
						66	SGW-2066
						71	SGW-2071
						75	SGW-2075
						85	SGW-2085
95	SGW-2095						