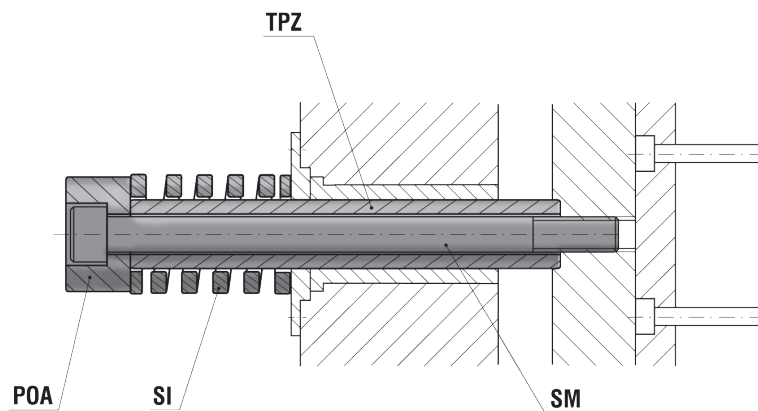
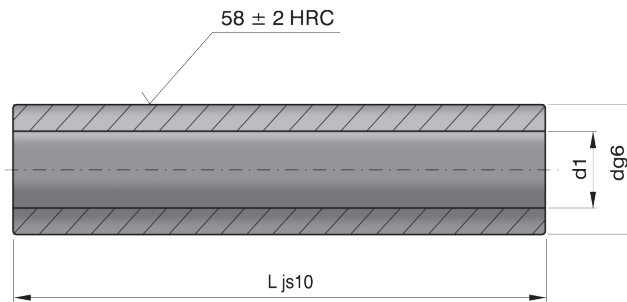


Tuleja prowadząca
Tube dowel
TPZ


d	d1	L	NR KAT.
10	6,2	20	TPZ-10020
		30	TPZ-10030
		40	TPZ-10040
		50	TPZ-10050
		60	TPZ-10060
		70	TPZ-10070
		80	TPZ-10080
		100	TPZ-10100
		120	TPZ-10120
		140	TPZ-10140
14	8,3	30	TPZ-14030
		40	TPZ-14040
		50	TPZ-14050
		60	TPZ-14060
		70	TPZ-14070
		80	TPZ-14080
		100	TPZ-14100
		120	TPZ-14120
		140	TPZ-14140
		160	TPZ-14160
180	TPZ-14180		

Sworzeń płyty wypychaczy
Threaded insert for ejector plate
TPZ

d	d1	L	NR KAT.
18	10,4	40	TPZ-18040
		60	TPZ-18060
		80	TPZ-18080
		100	TPZ-18100
		120	TPZ-18120
		140	TPZ-18140
		160	TPZ-18160
		180	TPZ-18180
		200	TPZ-18200
		220	TPZ-18220
		240	TPZ-18240
24	12,5	60	TPZ-24060
		80	TPZ-24080
		100	TPZ-24100
		120	TPZ-24120
		140	TPZ-24140
		160	TPZ-24160
		180	TPZ-24180
		200	TPZ-24200
30	16,5	80	TPZ-30080
		100	TPZ-30100
		120	TPZ-30120
		140	TPZ-30140
		160	TPZ-30160
		180	TPZ-30180
		220	TPZ-30220
		260	TPZ-30260
		300	TPZ-30300